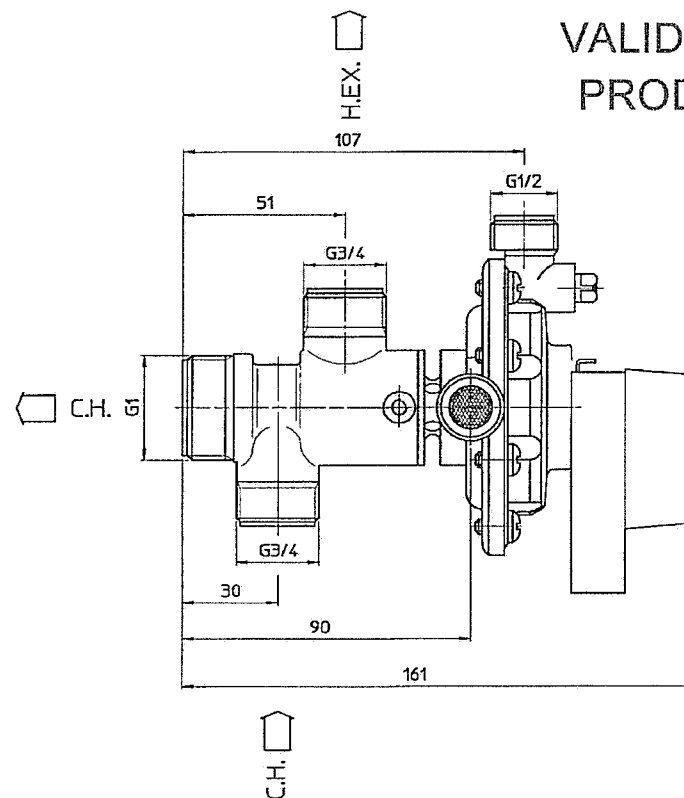
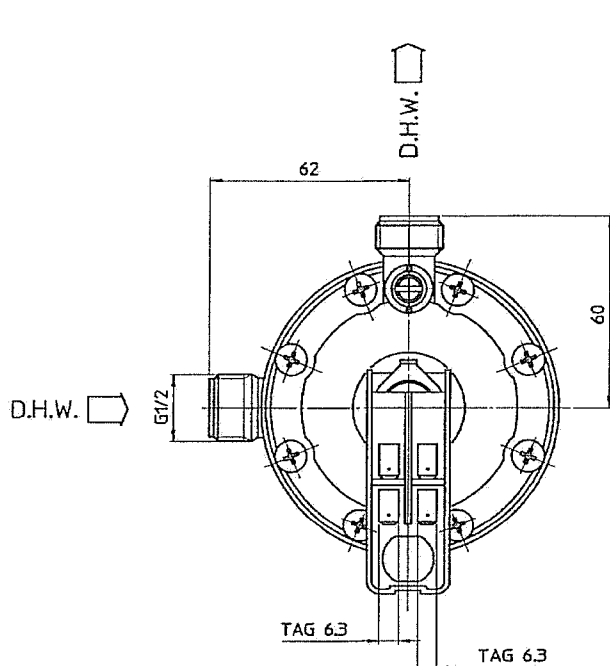


all dimensions are in millimeters

ALL THREADS ARE B.S.2779 CLASS B

VALIDO PER LA  
PRODUZIONE



D.H.W. CIRCUIT PRESSURE TEST 15.0 bar

C.H. CIRCUIT PRESSURE TEST 4.5 bar

SWITCH ON POINT Q1 =  $2.6^{+0.3}$  l/min.  
SWITCH OFF POINT Q2 = 0.1-0.2 l/min.

MAX WORKING TEMPERATURES

primary: 110 °C  
sanitary: 70 °C

MOD. ESSE	DESCRIZIONE DESCRIPTION	DATA DATE	FRMA ISQU
IDENTIFICAZIONE IDENTIFICATION		IN ISAI	
V-35 three way valve		<input checked="" type="checkbox"/> <input checked="" type="checkbox"/> <input checked="" type="checkbox"/> <input checked="" type="checkbox"/>	
orientazione code V35 2M 1D 6a		SCALA SCALE	1:1
MATERIALE MATERIAL		DATA DATE	01/09/92
TOLL. GEN. GEN. TOLL. ±0.5		PROG. PFIG	
		DS. (CRM)	