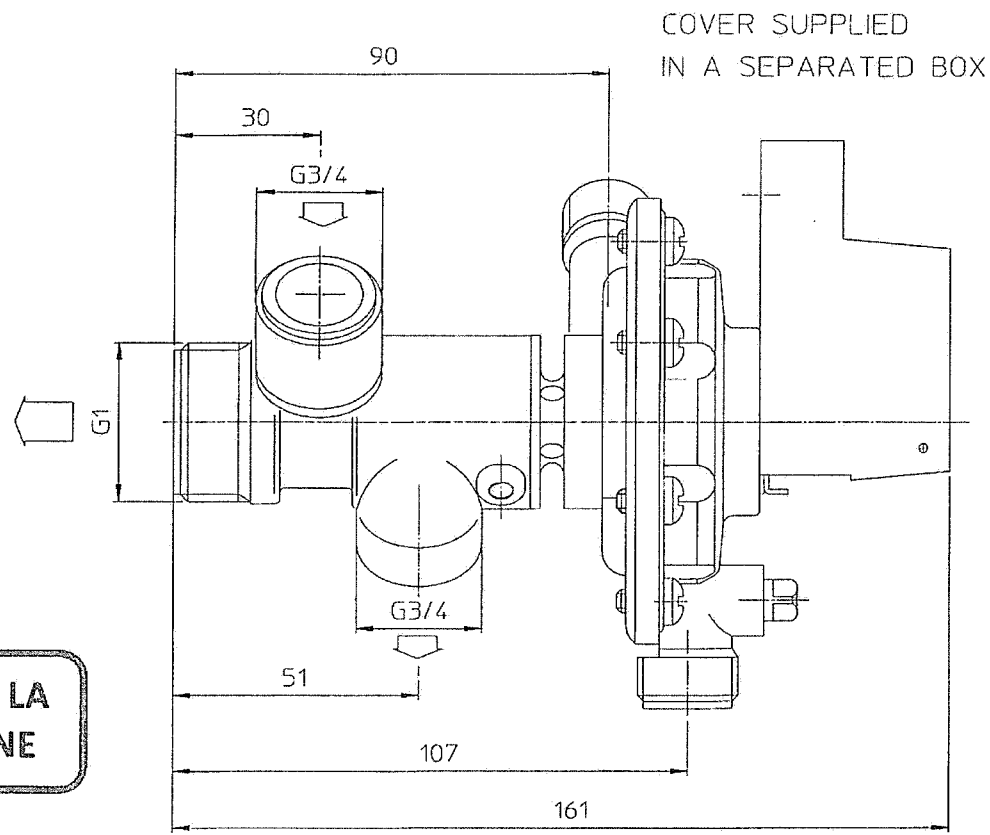
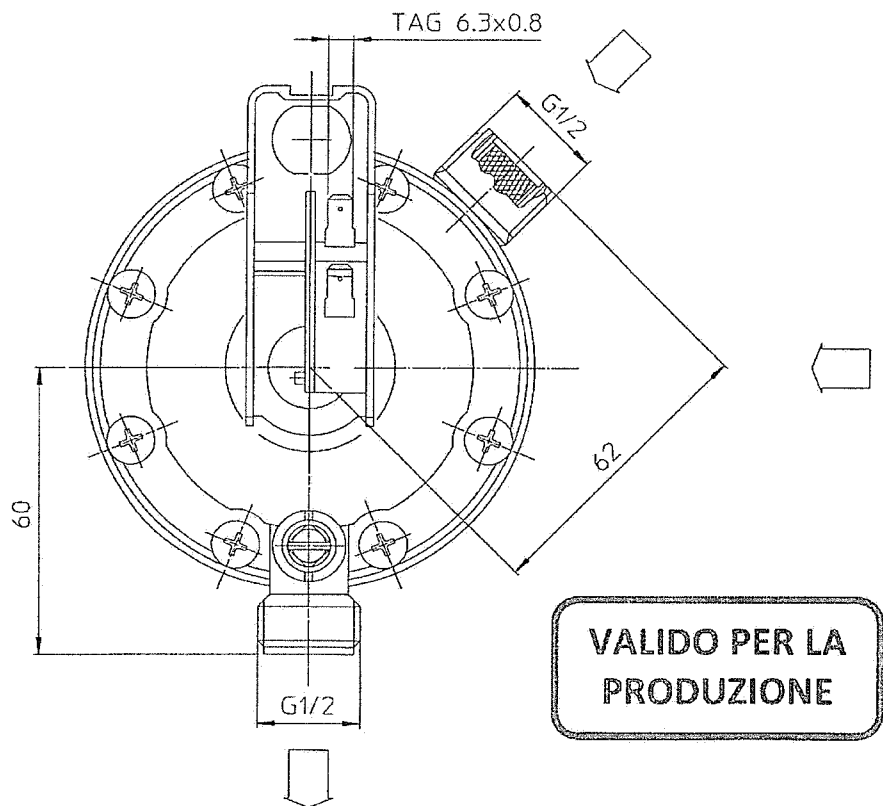


ALL THREADS ARE UNIIISO228/1



COVER SUPPLIED  
IN A SEPARATED BOX

MAX WORKING TEMPERATURES

primary: 110 °C  
sanitary: 70 °C

D.H.W. CIRCUIT PRESSURE TEST 15.0 bar  
C.H. CIRCUIT PRESSURE TEST 4.5 bar

SWITCH ON POINT Q1 =  $2.1 \pm 0.3$  l/min.  
SWITCH OFF POINT Q2 = Q1-0.2 l/min.  
SWITCH ON POINT MINIMUM PRESSURE = 0.38 bar

A	ADDED NOTE COVER MICROSWITCH	16-06-2014	SB
REV.(ISSUE)	DESCRIZIONE (DESCRIPTION)	DATA (DATE)	DIS.(DRW)
DESCRIZIONE (DESCRIPTION)			<input checked="" type="checkbox"/> <input checked="" type="checkbox"/> <input checked="" type="checkbox"/>
V-35 three way valve orientation code V35 1M 1D 5q		SCALA (SCALE)	1 : 1
		DATA (DATE)	16/07/2013
		CLIENTE (CUSTOMER)	
		DISEGNATORE (DRW)	SB
		VERIFICATO (VERIFIED)	
TOLL. GEN. (GEN.TOLL) ±0.5		FORMATO DISEGNO (DRAWING FORMAT)	
		APPROVATO UT ( T. D. APPROVAL )	
		SOSTITUISCE	
		SOSTITUITO DA	
		N° CODICE (CODE No.)	P3550D111A
		N° DISEGNO (DRW No.)	TIPO STATO NUMERO
		PF DF	12569