

# SPARE PARTS EXPLODED VIEW GAS WALL BOILERS

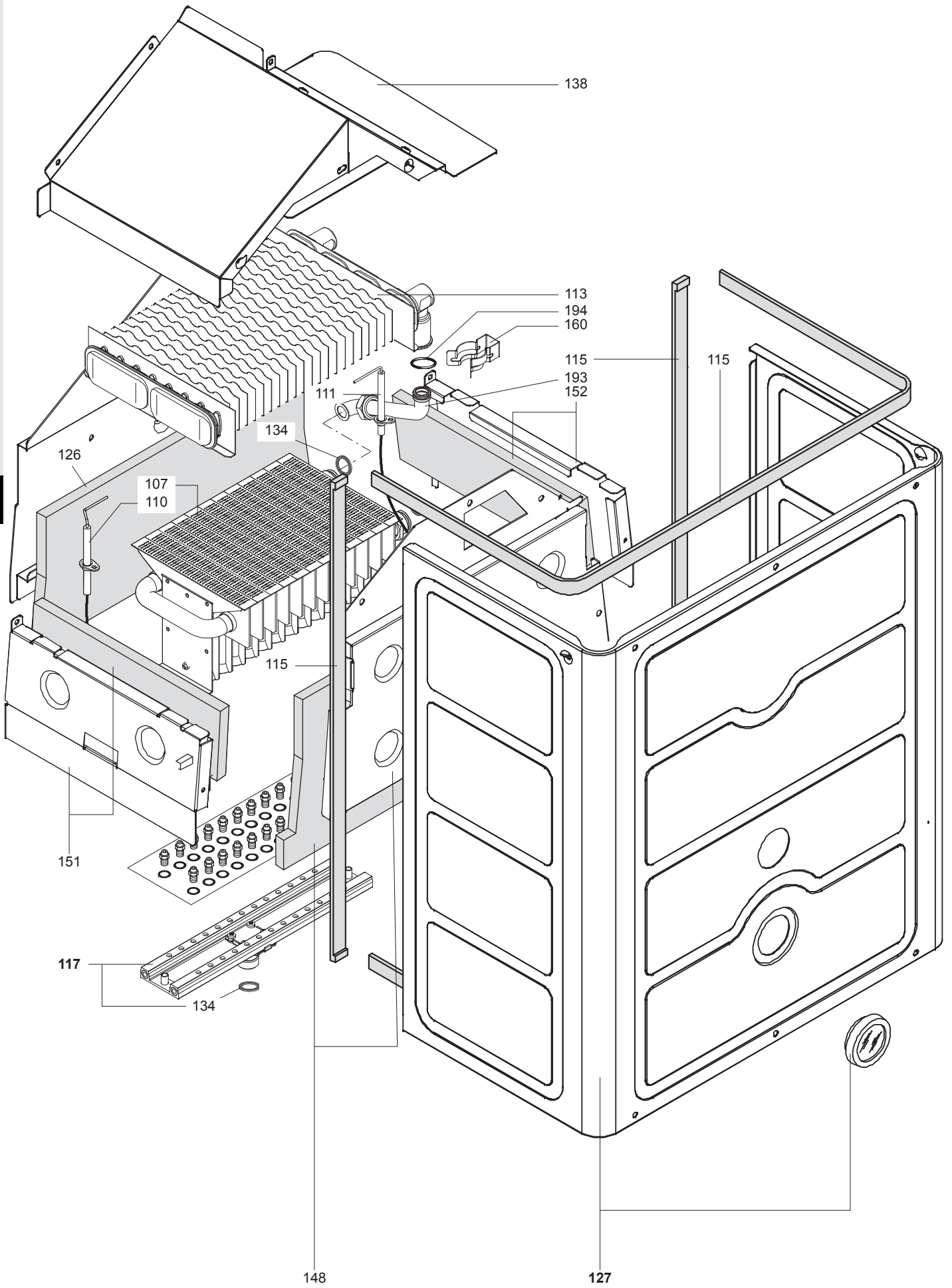
Model

## **PIGMA NOX**

R8216842-01 - 12/07/2012

1	3310313	PIGMA NOX 24 FF NG
2	3310315	PIGMA NOX 24 FF LPG
3	3310314	PIGMA NOX 28 FF NG

Col	Reference	Model type	Begin	End
-----	-----------	------------	-------	-----



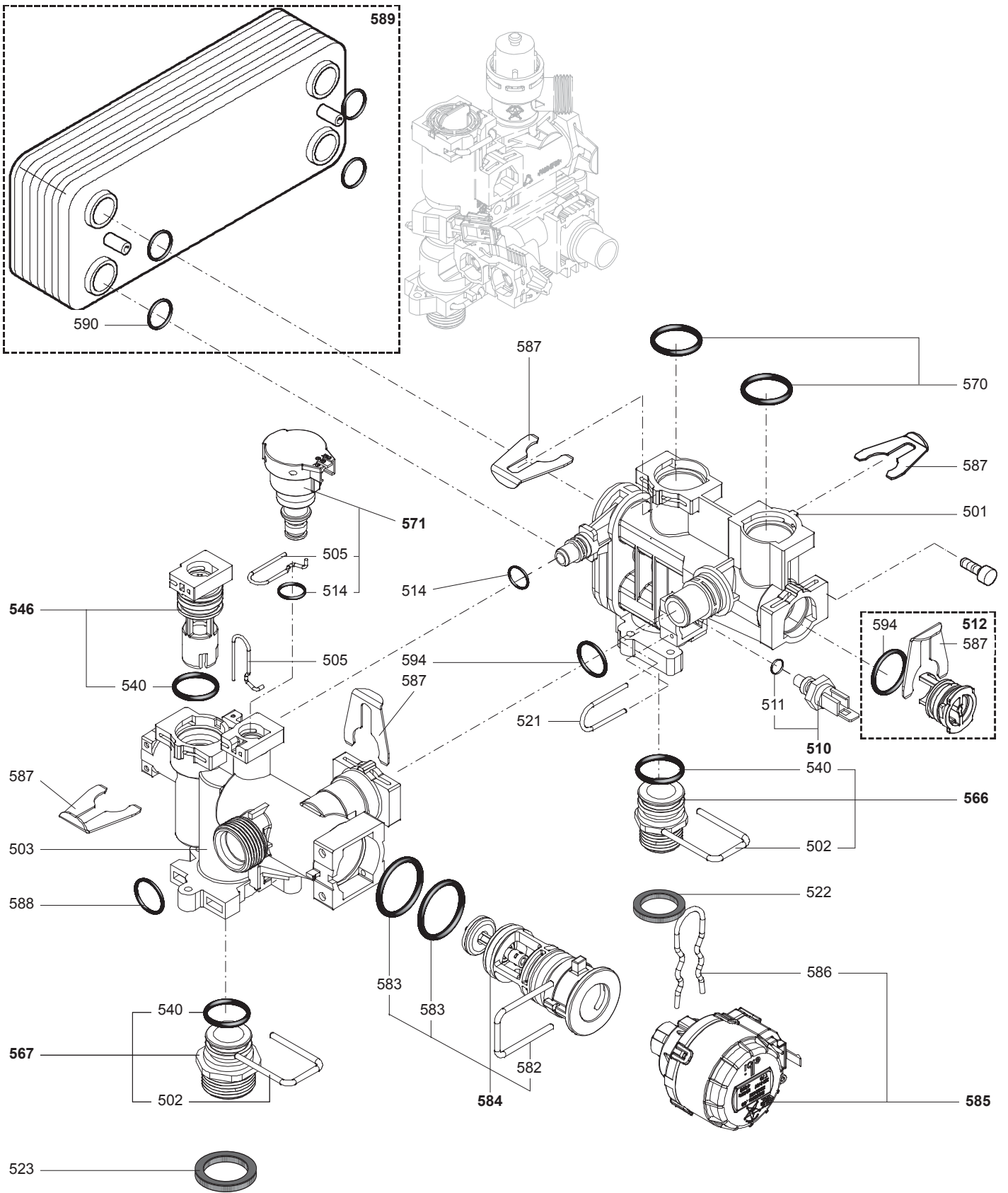
PIGMA NOX 24 FF NG  
 PIGMA NOX 24 FF LPG  
 PIGMA NOX 28 FF NG

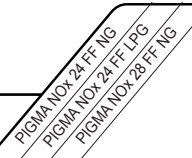

31

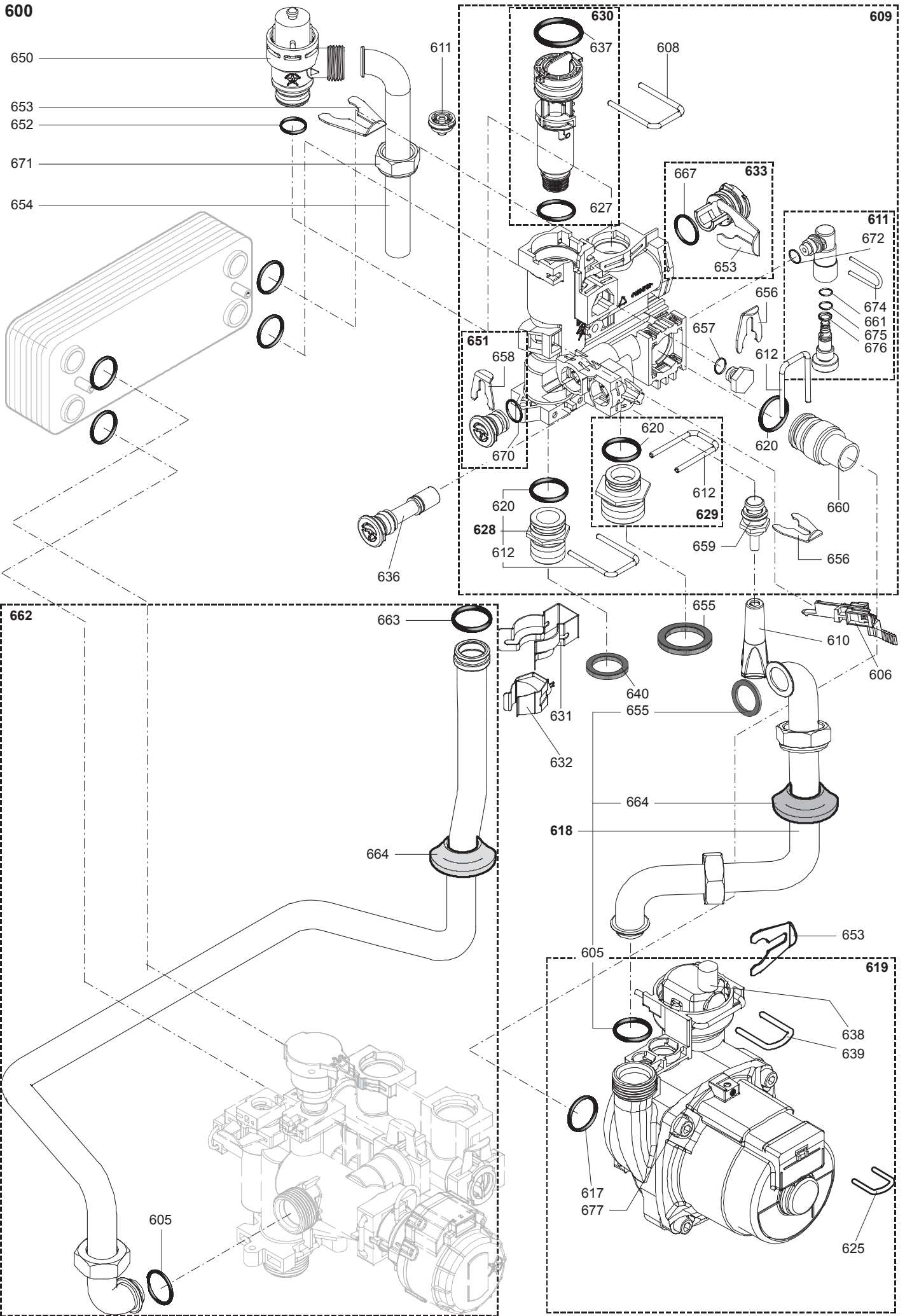
☞	Description	Manf. Pt. N	Type																		
				1	2	3	4	5	6	7	8	9	10	11	12	13	14	15	16	17	18
0100	SEALED CASE																				
0107	BURNER	65109593				●															
	BURNER	65110363		●	●																
0110	ELECTRODE (IGNITION)	65108806		●	●	●															
0111	ELECTRODE (DETECTION)	65109524		●	●	●															
0113	MAIN EXCHANGER	65110947				●															
	MAIN EXCHANGER	65110955		●	●																
0115	SEALS KIT (SEALED COMB.CHAMBER)	65108294		●	●	●															
0117	GAS MANIFOLD	65108914		●	●																
	GAS MANIFOLD	65108919				●															
0126	PANEL (INSULATION - REAR)	65111455		●	●																
	PANEL (INSULATION - REAR)	65111456				●															
0127	PANEL (COMBUSTION CHAMBER - FRONT)	65110964		●	●	●															
0134	GASKET	65109461		●	●	●															
0138	FLUE HOOD	65110957		●	●																
	FLUE HOOD	65110958				●															
0148	FRONT PANEL	65111452		●	●																
	FRONT PANEL	65111453				●															
0151	PANEL - L/H COMBUSTION CHAMBER	65111454		●	●	●															
0152	PANEL (R/H - COMBUSTION CHAMBER)	65110959		●	●	●															
0160	CLIP	65103783		●	●	●															
0193	PIPE (BURNER TO EXCHANGER)	65110949		●	●	●															
0194	O-RING 2.62X17.86	65107621		●	●	●															



☉⇒	Description	Manf. Pt. N	Type	<div style="display: flex; justify-content: space-between; align-items: center;"> <div style="writing-mode: vertical-rl; transform: rotate(180deg); font-size: small;">           PIGMA NOX 24 FF NG            PIGMA NOX 24 FF LPG            PIGMA NOX 28 FF NG         </div> <div style="border: 1px solid black; padding: 2px;">31</div> </div>																	
				1	2	3	4	5	6	7	8	9	10	11	12	13	14	15	16	17	18
<b>0200</b>	<b>FAN ASSEMBLY</b>																				
0204	FLUE (EXHAUST MANIFOLD / HEADER)	65109496		●	●	●															
0206	FAN	65110952		●	●																
	FAN	65110956				●															
0208	GASKET (FAN)	65109495		●	●	●															
0211	Y PIECE (AIR PRESSURE)	65110946		●	●	●															
0214	COMPENSATION TUBE	65109497		●	●	●															
0215	COMPENSATION TUBE	65102405		●	●	●															
0216	AIR PRESSURE SWITCH	65111457				●															
	AIR PRESSURE SWITCH	65111458		●	●																
<b>0300</b>	<b>CHASSIS-FRONT CASE</b>																				
0306	RESTRICTOR (D=47)	65109508		●	●	●															
	RESTRICTOR (D=41)	65109509		●	●	●															
	RESTRICTOR (D=41)	65109510		●	●	●															
0307	GASKET (AIR RETURN COVER)	65109505		●	●	●															
0320	GASKET (FLUE COLLAR)	65109506		●	●	●															
0324	PIPE (EXPANSION VESSEL)	65110948		●	●	●															
0325	GASKET 3/8	573521		●	●	●															
0327	EXPANSION VESSEL	65107606		●	●	●															
0328	O-RING 2.62X9.92	65108279		●	●	●															
0337	HYDRAULIC GROUP SUPPORT	65110954		●	●	●															
0344	PANEL (FRONT CASE)	65111521		●	●	●															
0345	CASE PANEL - SIDE	65108288		●	●	●															
<b>0400</b>	<b>GAS SECTION</b>																				
0401	GAS VALVE	65108428		●	●	●															
0402	PASS-PIPE GASKET	65109470		●	●	●															
0403	GASKET (PASS-CABLE)	65109471		●	●	●															
0406	GASKET	65109461		●	●	●															
0414	SILICONE SEAL	65109467		●	●	●															
0418	PIPE (GAS VALVE/BURNER)	65109002		●	●	●															

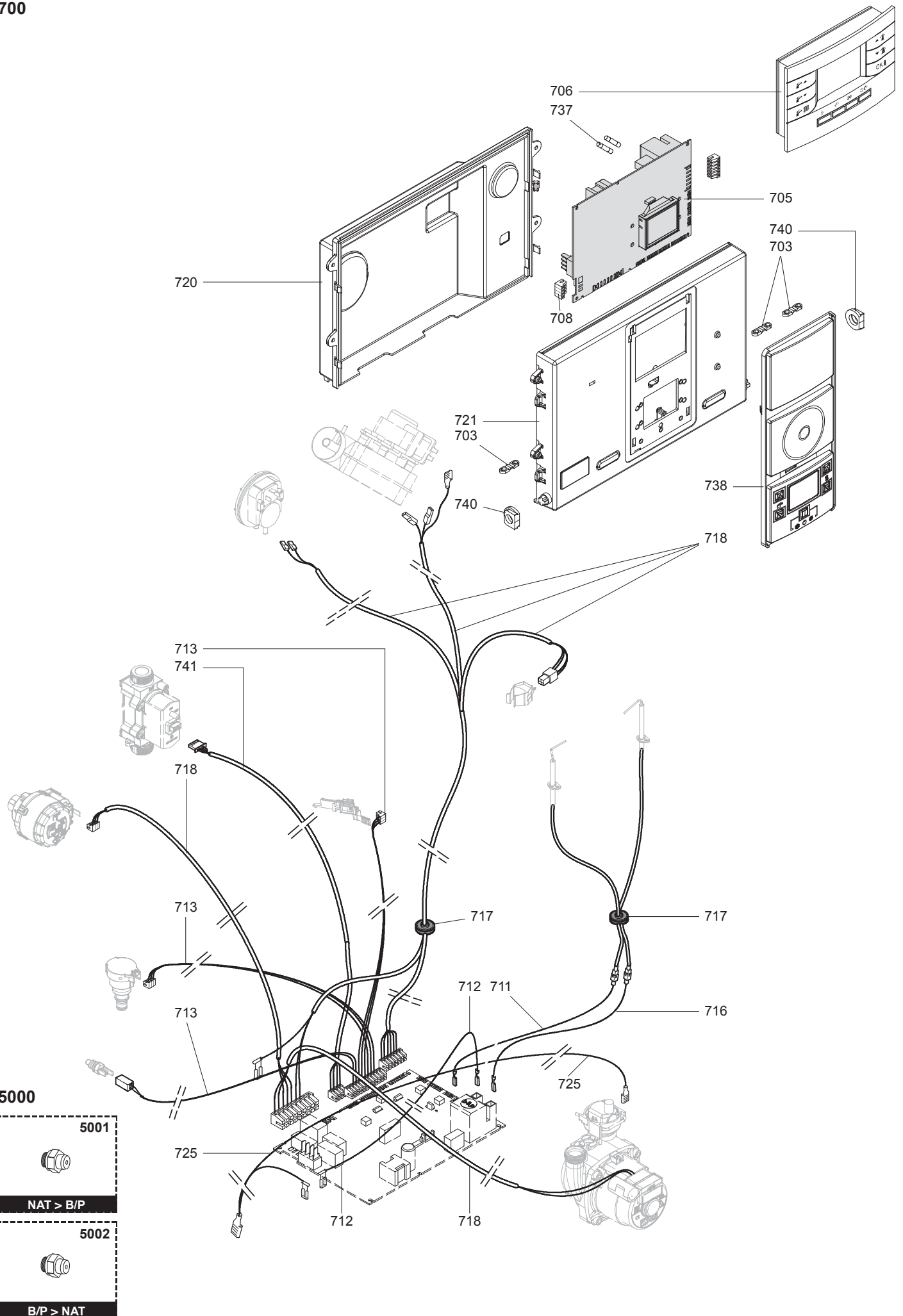


☉→	Description	Manf. Pt. N	Type																			
				1	2	3	4	5	6	7	8	9	10	11	12	13	14	15	16	17	18	
0500	<b>FLOW GROUP</b>																					
0501	FLOW GROUP	65110927		●	●	●																
0502	U-CLIP	65108291		●	●	●																
0503	FLOW GROUP	65110928		●	●	●																
0505	CLIP	65104322		●	●	●																
0510	NTC PROBE	65111506		●	●	●																
0511	O-RING (NTC)	65111504		●	●	●																
0512	PLUG	65104445		●	●	●																
0514	O-RING	65108290		●	●	●																
0521	U-CLIP	65110936		●	●	●																
0522	SILICONE SEAL	65109467		●	●	●																
0523	GASKET	65109461		●	●	●																
0540	O - RING (15.88X2.62)	65104337		●	●	●																
0546	BY-PASS	65108427		●	●	●																
0566	UNION (1/2)	65108292		●	●	●																
0567	UNION (3/4)	65108392		●	●	●																
0570	O-RING 2.62X17.86	65107621		●	●	●																
0571	PROPORTIONAL PRESSURE SWITCH	65110930		●	●	●																
0582	CLIP	65104316		●	●	●																
0583	O-RING	65109437		●	●	●																
0584	3-WAY SPRING KIT (D.H.W.)	65108293		●	●	●																
0585	MOTOR (3-WAY VALVE)	65110929		●	●	●																
0586	CLIP	65104332		●	●	●																
0587	CLIP	65109410		●	●	●																
0588	O-RING	65109463		●	●	●																
0589	DHW HEAT EXCHANGER	65104454		●	●	●																
0590	EXCHANGER GASKET	65109428		●	●	●																
0594	O-RING 2.62 X 15.54	65108697		●	●	●																






☉⇒	Description	Manf. Pt. N	Type	<div style="display: flex; justify-content: space-between; align-items: center;"> <div style="transform: rotate(-45deg); font-size: small;">           PIGMA NOX 24 FF NG            PIGMA NOX 24 FF LPG            PIGMA NOX 28 FF NG         </div> <div style="border: 1px solid black; padding: 2px;">31</div> </div>																	
				1	2	3	4	5	6	7	8	9	10	11	12	13	14	15	16	17	18
0600	RETURN GROUP																				
0605	O-RING	65109463		●	●	●															
0606	SENSOR (REED)	65110933		●	●	●															
0608	CLIP	65104316		●	●	●															
0609	RETURN GROUP	65110941		●	●	●															
0610	FILLING TAP KNOB	65110937		●	●	●															
0611	RIDUCTORS (KIT)	65110935		●	●	●															
0612	U-CLIP	65108291		●	●	●															
0617	GASKET	65109464		●	●	●															
0618	PIPE (C.H. RETURN)	65110950		●	●	●															
0619	PUMP	65110944		●	●	●															
0620	O - RING (15.88X2.62)	65104337		●	●	●															
0625	U-CLIP	65110936		●	●	●															
0627	O-RING 1.78X15.60	65110934		●	●	●															
0628	UNION (1/2)	65108292		●	●	●															
0629	UNION (3/4)	65108392		●	●	●															
0630	FLOW METER	65110940		●	●	●															
0631	CLIP	65103783		●	●	●															
0632	TEMPERATURE PROBE + CLIP	65110942		●	●	●															
0636	CHECK VALVE CARTRIDGE	65110939		●	●	●															
0637	O-RING	65109437		●	●	●															
0638	AUTO AIR VENT + O-RING	65109409		●	●	●															
0639	CLIP	65109411		●	●	●															
0640	SILICONE SEAL	65109467		●	●	●															
0650	SAFETY VALVE	65110931		●	●	●															
0651	PLUG	65110938		●	●	●															
0652	O-RING 2.62 X 15.88	65111505		●	●	●															
0653	CLIP	65109410		●	●	●															
0654	PIPE	65103451		●	●	●															
0655	GASKET	65109461		●	●	●															
0656	U-CLIP	65111503		●	●	●															
0657	SEALS KIT (SEALED COMB.CHAMBER)	65108294		●	●	●															
0658	CLIP D:10	65104260		●	●	●															
0659	FILLING TAP KIT	65104051		●	●	●															
0660	UNION (3/4)	65110932		●	●	●															
0661	O-RING 2.9 X 1.78	65111507		●	●	●															
0662	PIPE (C.H. FLOW)	65110951		●	●	●															
0663	O-RING 2.62X17.86	65107621		●	●	●															
0664	PASS-PIPE GASKET	65109470		●	●	●															
0667	O-RING 2.62 X 15.54	65108697		●	●	●															
0670	O - RING (9.19X2.62)	65104313		●	●	●															
0671	NUT	65102403		●	●	●															
0672	O-RING	65109444		●	●	●															
0673	DRAIN VALVE	65109445		●	●	●															
0674	U-CLIP	65109441		●	●	●															
0675	O-RING 1.78X3.69	65104453		●	●	●															
0676	O-RING 1.78 X 6.07	65111502		●	●	●															
0677	GASKET	65108289		●	●	●															




**5000**

5001



NAT > B/P

5002



B/P > NAT

☉⇒	Description	Manf. Pt. N	Type	<div style="display: flex; justify-content: space-between; align-items: center;"> <div style="transform: rotate(-45deg); font-size: small;">           PIGMA NOX 24 FF NG            PIGMA NOX 24 FF LPG            PIGMA NOX 28 FF NG         </div> <div style="border: 1px solid black; padding: 2px;">31</div> </div>																	
				1	2	3	4	5	6	7	8	9	10	11	12	13	14	15	16	17	18
<b>0700</b>	<b>ELECTRICAL BOX</b>																				
0703	CABLE CLAMP	65109426		●	●	●															
0705	P.C.B. (MAIN)	65112117		●	●	●															
0706	REMOTE CONTROL	65111491		●	●	●															
0711	CABLE (DETECTION ELECTRODE)	65111500		●	●	●															
0712	CABLE PROTECTOR-ELECTR.	65111501		●	●	●															
0713	WIRING (SENSORS)	65111498		●	●	●															
0716	IGNITION ELECTRODE CABLE	65110945		●	●	●															
0717	GASKET (PASS-CABLE)	65109471		●	●	●															
0718	WIRING (FAN-NTC-AIR PRESS.SWITCH)	65111496		●	●	●															
0720	CONTROL PANEL COVER (REAR)	65111494		●	●	●															
0721	CONTROL PANEL	65111492		●	●	●															
0725	EARTH WIRE	65111497		●	●	●															
0737	FUSE	65109476		●	●	●															
0738	CONTROL PANEL	65111495		●	●	●															
0740	CONTROL PANEL ROTOR	65111493		●	●	●															
0741	CABLE (GAS VALVE)	65111499		●	●	●															
<b>5000</b>	<b>ACCESSORIES</b>																				
5001	BURNER JET FULL KIT (LG)	65110925		●																	
	BURNER JET FULL KIT (LG)	65110926				●															
5002	BURNER JET FULL KIT (NG)	65110387			●																

## LIST OF THE ABBREVIATIONS

HW .....	: Hot water.
CW .....	: Cold water.
C .....	: Ceramic resistance (normal heating).
Ca .....	: Ceramic resistance (accelerated heating)
TP .....	: Immersion heater.
1F .....	: With fittings.
2F .....	: Without fittings.
3F .....	: With fittings and another outlet connection.
AMI .....	: With mixing valve.
SMI .....	: Without mixing valve.
PUISS .....	: Power of th appliance.
PN .....	: Appliance with normal pression.
LP .....	: Appliance with low pression.
PV .....	: Appliance with variable power.
PF .....	: Appliance with fixed power.

## IDENTIFICATION PLATE

### SERIAL NUMBER

<b>10 Characters :</b>	04 05 125 011	Sequential number Manufacturing day Year of manufacture
<b>11 Characters :</b>	1 95 065004 - 31	Technical number of the appliance Sequential number Year of manufacture
Month of manufacture : from 1 to 9 → Jan. to Sep., O → Oct., N → Nov., D → Dec.		
<b>19 Characters :</b>	08 05 0013199 900640031	Product reference Sequential number
Year of manufacture Month of manufacture		
<b>20 Characters :</b>	3675007 XX 2 07 070 00315	Sequential number Manufacturing day Year of manufacture
Product reference Millenium of manufacture		
<b>21 Characters :</b>	3675007 XX 07 070 0000315	Sequential number Manufacturing day
Product reference Year of manufacture		